

Press Release

24 Nov 2017

Act Fibernet increases data limits across all its plans at no extra cost

Combines uploads and download data limits to give choice to customer basis his/her usage needs

Chennai, 02 Aug 2017: ACT Fibernet, India's largest non-telco and 3rd largest ISP (internet service provider) in the wired broadband category, increased the data limits for all broadband plans for all its customers in Chennai beginning 1st August 2017. Known as a pioneer in Giga enabling an entire Indian city and a disruptor in the Indian broadband ecosystem, ACT Fibernet's upgraded plans will allow customers to enjoy higher data limits at no additional cost.

ACT Fibernet is combining the upload FUP and Download FUP limits into one monthly data limit. The customer now has the freedom to consume data on uploads or downloads as per his needs and usage.

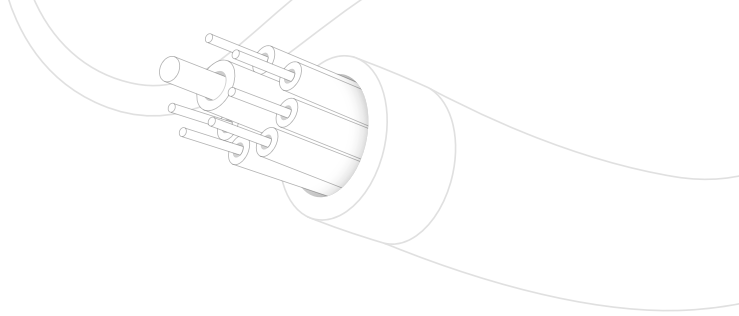
Under the retail customer plans, ACT Basic will be upgraded to 80 GB total FUP limit with 30 Mbps speed from its current 40 GB Upload FUP and 40 GB download FUP. Similarly, ACT Blaze will be upgraded to 200 GB data limit with 75Mbps speed, ACT Storm will be upgraded to 260 GB data limit with 75 Mbps speed, ACT Lightning will be upgraded to 350 GB data limit with 90 Mbps speed, ACT Thunder will be upgraded to 450 GB data limit with 100 Mbps speed and ACT Incredible will be upgraded to 700 GB data limit with 150 Mbps speed.

Similarly, under the SOHO (Small office, home office) plans, ACT SME Swift will be upgraded to 900 GB data limit with 150 Mbps speed, ACT SME Flash will be upgraded to 1100 GB data limit with 200 Mbps speed and ACT SME Force will be upgraded to 1400 GB data limit with 200 Mbps speed.

Speaking on the new plans, **Mr. Bala Malladi, CEO, Atria Convergence Technologies Pvt Ltd** commented, "It is our constant endeavour to provide the best internet experience to our customers through super-fast speeds and enhanced data limits. We are combining our download and upload FUP into total data transfer FUP. This will liberate our customers and provide them significantly enhanced FUP, allowing them the freedom to use internet based on their needs and purpose."

The below table captures the plan details :-

Chennai till 31 Jul '17						From 01 Aug '17
RESIDENTIAL PLANS	Speed	Post FUP speed	Monthly rental	Monthly download FUP	Monthly Upload FUP	Revised FUP (data limit = download FUP+ upload FUP)
ACT Basic	30 Mbps	512 Kbps	799	40 GB	40 GB	80 GB
ACT Blaze	75 Mbps	512 Kbps	999	100 GB	100 GB	200 GB
ACT Storm	75 Mbps	512 Kbps	1099	130 GB	130 GB	260 GB
ACT Lightning	90 Mbps	512 Kbps	1299	175 GB	175 GB	350 GB
ACT Thunder	100 Mbps	512 Kbps	1499	225 GB	225 GB	450 GB
ACT Incredible	150 Mbps	1 Mbps	1999	350 GB	350 GB	700 GB



Chennai				Till 31 Jul '17		From 01 Aug '17
SOHO PLANS	Speed	Post FUP speed	Monthly rental	Monthly Download limit	Monthly Upload Limit	Monthly data limit (Download + Upload)
ACT SME Swift	150 Mbps	2 Mbps	2999	450 GB	450 GB	900 GB
ACT SME Flash	200 Mbps	2 Mbps	3999	550 GB	550 GB	1100 GB
ACT SME Force	200 Mbps	2 Mbps	4999	700 GB	700 GB	1400 GB