

Press Release

24-November-2017

Act Fibernet, India's pioneer in giga speeds and market leader in Hyderabad, upgrades internet broadband plans in the city

Increases internet speed and FUP limits at **no extra cost**

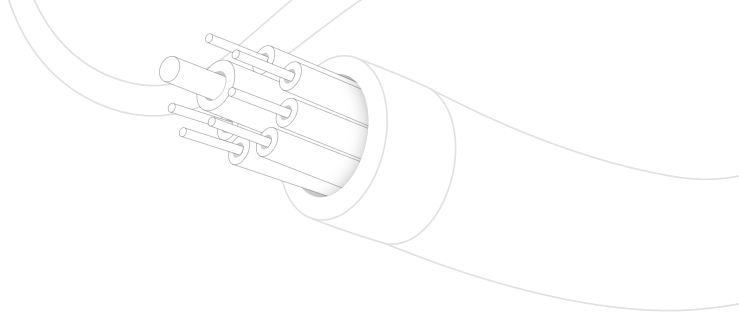
Hyderabad, 18 September, 2017: ACT Fibernet, India's largest non-telco ISP, 3rd largest ISP (internet service provider) and a pioneer in Giga enabling the entire city of Hyderabad, recently upgraded internet broadband plans for its existing customers in Hyderabad. ACT Fibernet has increased the speed and FUP limits for its fixed term broadband plans that will enable customers to enjoy superior internet experience at no extra cost. Additionally, for new customers the upgraded plans will be available beginning **10th September 2017**.

Under retail monthly plans, **A-Max 410** has been upgraded to 15 Mbps speed with 75 GB FUP limit from 5 Mbps speed and 60 GB FUP, **A-Max Swift** has been upgraded to 15 Mbps speed with 100 GB FUP limit versus its previous offering of 5 Mbps speed and 85 GB FUP. Likewise, **A-Max 650** has been upgraded to 40 Mbps speed and 150 GB FUP limit from 25 Mbps speed and 100 GB FUP, **A-Max Rapid FT** has been upgraded to 45 Mbps speed and 175 GB FUP limit from 30 Mbps speed and 125 GB FUP.

ACT - Max 1050 has been upgraded to 75 Mbps speed to 250 GB FUP limit from 60 Mbps speed and 200 FUP, **A-Max 1299** has been upgraded to 100 Mbps speed and 300 GB FUP limit from 75 Mbps speed and 250 GB FUP, **ACT Incredible 1999** has been upgraded to 150 Mbps speed to 500 GB FUP limit from 100 GB Mbps and 350 GB FUP. Similarly, under SME (Small, Medium Enterprise) monthly plan, **Beamfiber - 3999** has been upgraded to 300 Mbps speed and 750 GB FUP limit from 200 Mbps speed and 600 GB FUP at no additional cost.

Speaking on the upgraded plans, **Mr. Bala Malladi, CEO, Atria Convergence Technologies Pvt Ltd commented**, "As one of the most favoured and leading internet service provider in Hyderabad with over 70 % market share, we understand the pulse of our customers and continuously strive towards bringing the best internet speeds to them. We recently Giga enabled the entire Hyderabad city that transformed the way internet is being consumed today. To keep the momentum going, our latest upgraded plans coupled with increased speed and higher FUP limits will allow customers to enjoy uninterrupted internet services at unmatched speeds".

The below table captures the plan details: -



Retail Monthly Plans	Monthly Rental (Rs)	Existing Plans			New Plans		
		Price	Speed	FUP	Post FUP Speed	Speed	FUP
A-Max 410	410	5 Mbps	60 GB	152 Kbps	15 Mbps	75 GB	152 Kbps
A-Max Swift FT	NA	5 Mbps	85 GB	152 Kbps	15 Mbps	100 GB	152 Kbps
A-Max 650	650	25 Mbps	100 GB	1 Mbps	40 Mbps	150 GB	1 Mbps
A-Max Rapid FT	NA	30 Mbps	125 GB	1 Mbps	45 Mbps	175 GB	1 Mbps
A-Max 1050	1050	60 Mbps	200 GB	3 Mbps	75 Mbps	250 GB	3 Mbps
A-Max 1299	1299	75 Mbps	250 GB	3 Mbps	10 Mbps	300 GB	3 Mbps
ACT Incredible 1999	1999	100 Mbps	350 GB	4 Mbps	150 Mbps	500 GB	4 Mbps

SME Monthly Plans	Monthly Rental (Rs)	Existing Plans			New Plans		
		Price	Speed	FUP	Post FUP Speed	Speed	FUP
Beamfiber - 3999	3999	200 Mbps	600 GB	8 Mbps	300 Mbps	750 GB	8 Mbps