

Press Release

10 Apr 2018

Act Fibernet to power Google Home users with high-speed fiber broadband connectivity.

ACT Fibernet is Google's Fiber broadband partner for Google Home launch

Bengaluru, 10 April, 2018: CT Fibernet, India's largest fiber-focused wired broadband ISP (Internet Service Provider) today announced its partnership with Google to support its newly launched Google Home smart speakers with high-speed fiber-to-the-home (FTTH) connectivity. As part of this, ACT Fibernet will work in conjunction with Google to leverage the adoption of next-gen technology and will offer a bundle of special plans for its customers.

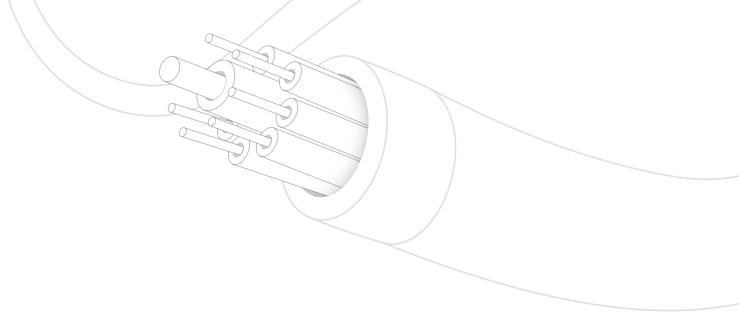
Smart and virtual home assistants are becoming an integral part of our homes, however to ensure they function seamlessly, it is imperative that robust and high-speed internet and Wi-Fi connectivity back them. ACT Fibernet, with its extensive fiber broadband connectivity and future-ready fiber-optic technology will ensure an uninterrupted and incredible internet experience to all its customers using Google Home devices.

Speaking on the partnership **Ravi Karthik, Head of Marketing, Atria Convergence Technologies Ltd**, *"Google is a brand known to all and we are thrilled to partner with them as fiber broadband partner for their Google Home series of products. We will work with Google to take this next-gen technology to the homes of our customers providing them with rewarding offers for easy adoption."*

Suresh Vedula, Head - Google India Consumer Hardware Partnerships added, *"We are very happy to partner with ACT Fibernet as we launch Google Home in India. Powered by the smart and convenience of the Google Assistant, Google Home is the perfect companion for finding answers, getting things done around the house, and controlling your smart devices, all hands-free. Reliable and high-speed Internet connectivity is the bedrock of this experience, which makes ACT Fibernet the perfect partner for helping enable the smart home vision."*

ACT Fibernet has also introduced exciting special plans and offers for all its existing and new customers across Bengaluru, Hyderabad, Delhi, and Chennai. Customers subscribing to any of the below mentioned plans will receive complimentary Google Home Mini delivered at their doorstep. For the Delhi market, ACT Fibernet has launched a special Platinum promo plan where customers subscribing to this plan can enjoy 150 Mbps broadband speed at Rs.999 only and get a complimentary Google Home Mini.

The below table captures the plan details: -



Proposal	Name	Promotional Offer
Hyderabad	ACT Giga	Complimentary Google Home Mini with every connection
	Incredible plan	Get 12 months subscription by paying for 10 months, and get Complimentary Google Home Mini
	A-Max1299	Get 12 months subscription by paying for 11 months, and get Complimentary Google Home Mini
Hyderabad	ACT Giga	Complimentary Google Home Mini with every connection
	Incredible plan	Pay for 12 months ?" Get 2 additional months free, and a complimentary Google Home Mini
	Lightning	Pay for 12 months ?" Get 1 additional month free, and a complimentary Google Home Mini
Hyderabad	Incredible	Pay for 12 months ?" Get 1 additional month free, and a complimentary Google Home mini
	Thunder	Pay for 12 months ?" Get 1 additional month free, and a complimentary Google Home mini
	Lightning	Pay for 12 months ?" Get a complimentary Google Home Mini
Hyderabad	Platinum Promo Plan - 999	Pay for 12 months ?" Get a complimentary Google Home Mini

About ACT Fibernet

ACT Fibernet, India's largest fiber-focused wired broadband ISP as on September 30, 2017 (in terms of number of fiber broadband internet subscribers from residential homes) (Source: India Broadband Market Overview ?" 2017 dated February 19, 2018, prepared by Media Partners Asia). Headquartered in Bangalore, ACT Fibernet has operations in 12 Indian cities as on December 31, 2017 with approximately 1.5 million customers.

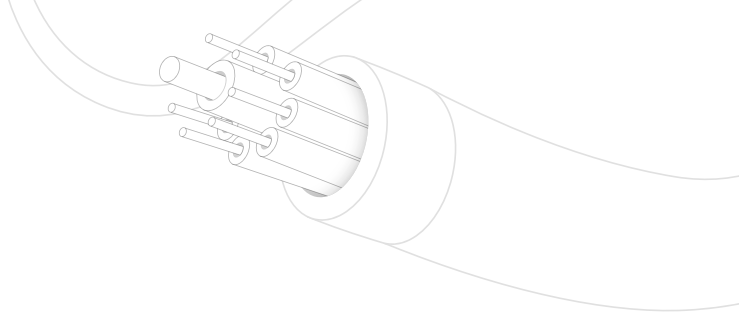
Media Contacts:

Debolina Palit

Genesis Burson-Marsteller

+91 9916624345

Debolina.Palit@bm.com | media@actcorp.in



Disclaimer:

Atria Convergence Technologies Limited is proposing, subject to receipt of requisite approvals, market conditions and other considerations, to make an initial public offering of its equity shares and has filed a Draft Red Herring Prospectus dated March 24, 2018 with the Securities and Exchange Board of India ("SEBI ??") on March 26, 2018. The Draft Red Herring Prospectus is available on the website of the SEBI and the websites of ICICI Securities Limited, Citigroup Global Markets India Private Limited, J.P. Morgan India Private Limited and HDFC Bank Limited.

Investors should note that investment in equity shares involves a high degree of risk and for details should refer to the Red Herring Prospectus which may be filed with the Registrar of Companies, Bengaluru in the future.

[1] Based on number of fiber broadband internet subscribers as on September 30, 2017 (Source: India Broadband Market Overview ?" 2017 dated February 19, 2018, prepared by Media Partners Asia).