

Press Release

17 Dec 2018

Act Fibernet powers India's biggest gaming, animation media & entertainment expo India Joy 2018.

Bengaluru, 26th November 2018: ACT Fibernet (Atria Convergence Technologies Ltd.) India's largest fiber-focused wired broadband ISP (Internet Service Provider), today announced its partnership with Indiajoy as their official 'Connectivity Partners'. As part of the association, ACT Fibernet will provide high-speed fibernet connectivity to the entire exhibition centre ensuring delegates, participants and visitors are seamlessly connected digitally.

Indiajoy 2018 is the biggest and the first, gaming, animation, media and entertainment expo to be hosted in India. The event will bring together corporations, studios, content developers, delegates, consumers, hardware manufacturers and students, through series of Networking, Trade Exhibitions, Product Launches, B2B and B2C events. With more than 10,000 participants expected to be a part of the event, uninterrupted connectivity is essential to enable an immersive and fulfilling gaming and viewing experience. ACT Fibernet is bringing its world class futuristic internet service that is equipped to deliver GIGA (1000 Mbps) speeds to elevate the experience at the event.

Speaking on the association, Parth Biswas, COO, ACT Fibernet said, *"This is the first time a gaming, animation media and entertainment event of this stature is happening in India and we are thrilled to be a part of it. It is in our constant endeavor to support and encourage platforms that showcases new products and innovations. We are committed to support the event by offering our best Fibernet connectivity which we believe will truly add value to all the stakeholders."*

Commenting on the initiative, Ravi Kiran, Indiajoy said, *"Indiajoy is an aggregator platform, bringing together this prestigious international event in one place to open up opportunities for AVGC (Animation, VFX, Gaming and Comic) industry. Animation, VFX, Gaming all require extremely fast, reliable and low latency connectivity and ACT Fibernet is our chosen partner in this regard. ACT Fibernet is the leader in the fibernet in India, and we are extremely pleased to have them on board. We are excited about the event and we are positive to deliver a truly rewarding experience to all our partners and participants."*

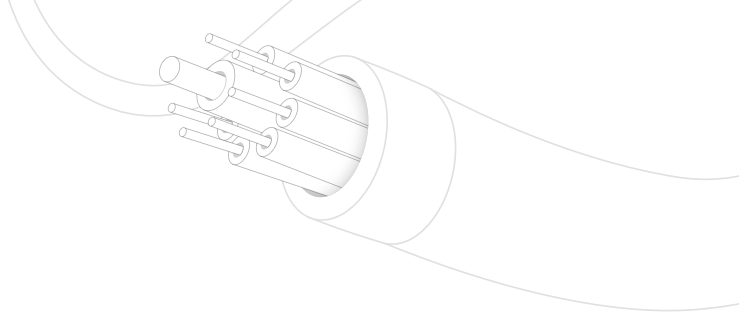
About ACT Fibernet

ACT Fibernet is India's largest fiber-focused wired broadband ISP as on September 30, 2017 (in terms of number of fiber broadband internet subscribers from residential homes) (Source: India Broadband Market Overview ?" 2017 dated February 19, 2018, prepared by Media Partners Asia). Headquartered in Bangalore, ACT Fibernet has operations in 15 Indian cities as on December 31, 2017 with approximately 1.28 million customers.

Disclaimer:

Atria Convergence Technologies Limited is proposing, subject to receipt of requisite approvals, market conditions and other considerations, to make an initial public offering of its equity shares and has filed a Draft Red Herring Prospectus dated March 24, 2018 with the Securities and Exchange Board of India ("SEBI ??) on March 26, 2018. The Draft Red Herring Prospectus is available on the website of the SEBI and the websites of ICICI Securities Limited, Citigroup Global Markets India Private Limited, J.P. Morgan India Private Limited and HDFC Bank Limited.

Investors should note that investment in equity shares involves a high degree of risk and for details should refer to the Red Herring Prospectus which may be filed with the Registrar of Companies, Bengaluru in the future



Based on number of fiber broadband internet subscribers as on September 30, 2017 (Source: India Broadband Market Overview ?" 2017 dated February 19, 2018, prepared by Media Partners Asia).

Media Contact:

Debolina Palit

Genesis Burson-Marsteller

+91 9916624345

Debolina.Palit@bm.com | media@actcorp.in

Media Contact for Indiajoy 2018

Sheela Panicker

enRight PR

+91984 980 9594

enright@enrightpr.com