

Press Release

17 December 2018

Act Fibernet launches high-speed fiber broadband service in Warangal.

Strengthens its presence in the state of Telangana

Warangal, 09 October 2018: ACT Fibernet (Atria Convergence Technologies Ltd.) India's largest fiber-focused wired broadband ISP (Internet Service Provider) and one of the leading fiber broadband player in Hyderabad launched its services in Warangal, Telangana. With the best fiber optic technology and world class futuristic speeds, residents of Warangal can now enjoy high speed internet broadband connectivity to fulfil their business and entertainment needs.

As part of this move, ACT Fibernet has introduced two new broadband plans in the market specifically curated to meet the demands and requirements of the customers. **ACT Swift**, offers **400 GB FUP** limit with **50 Mbps** speed and **ACT Rapid** offers **800 GB FUP** limit with **100 Mbps** speed.

Additionally, ACT Fibernet has bundled the fixed term broadband plans with exciting offers. Customers opting for any of the broadband plans for a period of 6 months can avail one-month free subscription and on selecting 9 months fixed term plan customers can avail a complimentary usage of Wi-Fi router. Likewise, on 12 months fixed term plan, customers can enjoy two months free subscription with a complimentary usage of Wi-Fi router.

Commenting on the launch **Mr. Parth Biswas, COO, Atria Convergence Technologies Ltd. said, "Following our success stories in Hyderabad and Secunderabad, we have embarked on a new journey having recently launched our services in Warangal - one of the most enterprising city in Telangana. We are optimistic that our services will help customers explore new possibilities across various fields such as business, education, entertainment and more ??"**

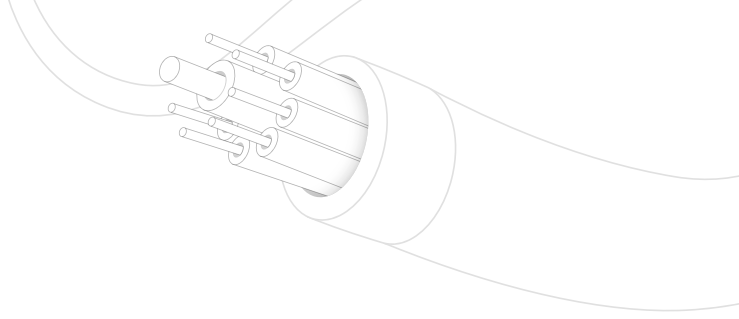
With this launch, ACT Fibernet now has operation across 15 cities in India - Delhi, Bengaluru, Chennai, Coimbatore, Hyderabad, Vijayawada, Vizag, Guntur, Nellore, Tirupati, Eluru, Rajahmundry, Kakinada, Madurai and Warangal.

The below table captures all plan details:

Plan	Price	Speed	Data	Post FUP	6 months Price	9 months	12 months
ACT Swift	549	50 Mbps	400GB	512Kbp	6+1	Router Free	12+2+ Wi-Fi Router Free
ACT Rapid	999	100 Mbps	800 GB	512Kbps	6+1	Router Free	12+2+ Wi-Fi Router Free

About ACT

ACT is India's largest fiber-focused wired broadband ISP as on September 30, 2017 (in terms of number of fiber broadband internet subscribers from residential homes) (Source: India Broadband Market Overview - 2017 dated February 19, 2018, prepared by Media Partners Asia). ACT has operations in 15 Indian cities as on December 31, 2017 with approximately 1.28 million customers.



Media Contacts:

Debolina Palit

Genesis Burson-Marsteller

+91 9916624345

Debolina.Palit@bm.com | media@actcorp.in

Disclaimer:

Atria Convergence Technologies Limited is proposing, subject to receipt of requisite approvals, market conditions and other considerations, to make an initial public offering of its equity shares and has filed a Draft Red Herring Prospectus dated March 24, 2018 with the Securities and Exchange Board of India ("SEBI ??") on March 26, 2018. The Draft Red Herring Prospectus is available on the website of the SEBI and the websites of ICICI Securities Limited, Citigroup Global Markets India Private Limited, J.P. Morgan India Private Limited and HDFC Bank Limited.

Investors should note that investment in equity shares involves a high degree of risk and for details should refer to the Red Herring Prospectus which may be filed with the Registrar of Companies, Bengaluru in the future.

[1] Based on number of fiber broadband internet subscribers as on September 30, 2017 (Source: India Broadband Market Overview ?" 2017 dated February 19, 2018, prepared by Media Partners Asia).