

Press Release

10 August 2018

ACT Fibernet launches Giga broadband speed in Chennai

Chennai, 10th August 2018: ACT Fibernet (Atria Convergence Technologies Ltd.) India's largest fiber-focused wired broadband ISP (Internet Service Provider)[i] today launched the 1Gbps (Giga speeds, 1000 Mbps) wired broadband internet service for the residents in Chennai.

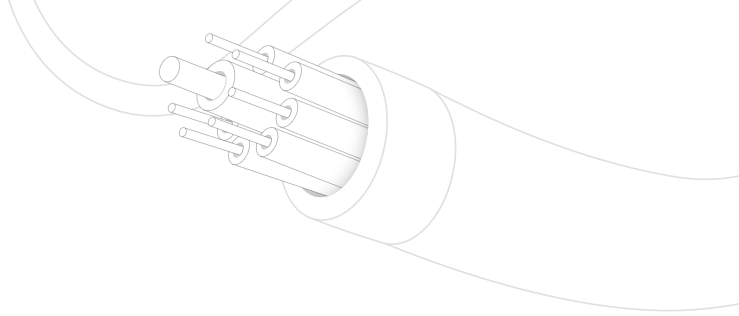
As per a recent [report](#), Chennai tops in fixed internet broadband speed. With a young population, Chennai has often led in adoption of latest digital technologies including high speed fibernet. However, significant surge in video streaming among users, increasing popularity of online gaming, fast growing segment of start-ups, co-working spaces and small and medium enterprises has further amplified the demand for fast internet broadband service in the city. With this launch, ACT Fibernet aims to meet the incessant need for high-speed broadband connectivity and further enhance customers internet experience.

Speaking on the launch **Bala Malladi, CEO, Atria Convergence Technologies Ltd.** Said "*High speed Fiber broadband is the future of internet, and we are extremely delighted to launch our super-fast Giga speed in Chennai. With this proposition at an attractive price point, we believe we will be able to service high end customers, start-ups, co-working spaces, cafes, hotels and enterprises. Further, the growth of animation, high end real time video/ movie/ sound processing units, SaaS start-ups and other related industries will get a huge fillip with this technology. We are confident that our new offering will empower our customers and amplify their experience with ACT Fibernet ??.*

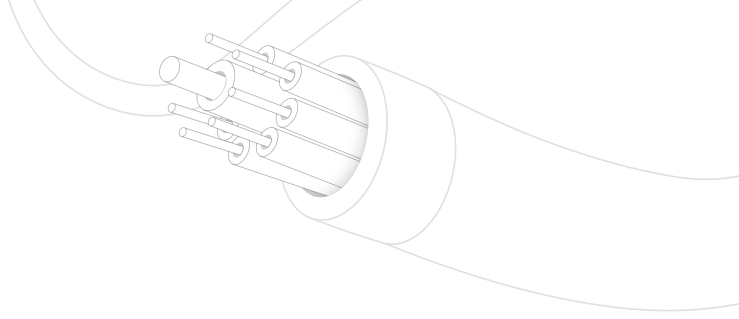
Furthermore, ACT Fibernet has packed the Giga plan with lucrative offers which will be made available to customers for INR 2999. On six months Giga plan customers can avail one month free subscription. Similarly, for 12 months plan customers can enjoy two months subscription free of cost. Customers will have to pay one-time installation fees of INR 2000 to upgrade to GIGA plans.

ACT Fibernet has also upgraded the existing fixed term broadband plans for **Retail, SOHO (Small office, home office) and SME (Small and Medium Enterprise)** which will allow users to enjoy higher speeds and FUP limits beginning 8th August 2018 at no additional cost. Under Retail plans, **ACT Basic** has been upgraded to 120 GB FUP limit with 30 Mbps speed, **ACT Blaze** has been upgraded to 500 GB FUP limit with 100 Mbps speed, **ACT Blast Promo** has been upgraded to 1000 GB FUP limit with 100 Mbps speed, ACT Storm has been upgraded to 1250 GB FUP limit with 125 Mbps speed. Likewise, **ACT Lightning** has been upgraded to 1500 FUP limit with 150 Mbps speed, **ACT Thunder** has been upgraded to 1750 FUP limit with 200 Mbps speed and **ACT Incredible** has been upgraded to 2000 GB FUP limit with 250 Mbps speed.

Adding to customers delight, the Retail broadband plans are bundled with exciting offers. Customers opting for **ACT Basic** plan for a period of 6 months can avail one-month free subscription or a free Wi-Fi router, and for 12 months plan get two months free subscription or one-month free subscription with free Wi-Fi router. Similarly, for **ACT Blast Promo** 6 months plan offers two-month free subscription and a free wi-fi router and 12 months plan includes six months free subscription with a free wi-fi router. On selecting either **ACT Blaze, ACT Storm, ACT Lightning, ACT Thunder and ACT Incredible** plan for 6 months, customers can choose two-month free subscription or one month free subscription with a free wi-fi router, while on 12 months plan customers can enjoy three month free subscription or two months free subscription with a free wi-fi router.



Chennai Plan	Rental	Till 07-Aug			From 08-Aug		
		Speed	Data	Post FUP Speed	Speed	FUP per month	Post FUP Speed
ACT Basic	Rs. 799	30 Mbps	80 GB	512 Kbps	30 Mbps	120 GB	512 Kbps
ACT Blaze	Rs. 999	75 Mbps	300 GB	512 Kbps	100 Mbps	500 GB	1 Mbps
ACT BlastPromo	Rs. 1,049	100 Mbps	1000 GB	1 Mbps	100 Mbps	1000 GB	1 Mbps
ACT Storm	Rs. 1,099	100 Mbps	500 GB	1 Mbps	125 Mbps	1250 GB	1 Mbps
ACT Lightning	Rs. 1,299	100 Mbps	1000 GB	1 Mbps	150 Mbps	1500 GB	1 Mbps
ACT Thunder	Rs. 1,499	150 Mbps	1500 GB	1 Mbps	200 Mbps	1750 GB	1 Mbps
ACT Incredible	Rs. 1,999	200 Mbps	2000 GB	2 Mbps	250 Mbps	2000 GB	1 Mbps
ACT Giga	Rs. 2,999	N/A	N/A	N/A	1000 Mbps	3000 GB	1 Mbps
SOHO Plans							
ACT SME Swift	Rs. 2,999	200 Mbps	3000 GB	2 Mbps	1000 Mbps	3000 GB	2 Mbps
ACT SME Flash	Rs. 3,999	200 Mbps	4000 GB	2 Mbps	1000 Mbps	4000 GB	2 Mbps
ACT SME Force	Rs. 4,999	200 Mbps	5000 GB	2 Mbps	1000 Mbps	5000 GB	2 Mbps
SME Plans							
ACT SME Silver	Rs. 2,999	200 Mbps	4500 GB	2 Mbps	1000 Mbps	1000 GB	2 Mbps
ACT SME Gold	Rs. 3,999	200 Mbps	5500 GB	2 Mbps	1000 Mbps	1000 GB	5 Mbps
ACT SME Platinum	Rs. 4,999	200 Mbps	6500 GB	2 Mbps	1000 Mbps	1000 GB	5 Mbps
ACT SME Phenomenal	Rs. 5,999	400 Mbps	6000 GB	5 Mbps	1000 Mbps	1000 GB	6 Mbps
ACT SME Exceptional	Rs. 6,999	500 Mbps	8000 GB	5 Mbps	1000 Mbps	1000 GB	7 Mbps
ACT SME ExceptionalPlus	Rs 8,999	600 Mbps	10000 GB	6 Mbps	1000 Mbps		10 Mbps

**About ACT Fibernet**

ACT Fibernet is India's largest fiber-focused wired broadband ISP as on September 30, 2017 (in terms of number of fiber broadband internet subscribers from residential homes) (Source: India Broadband Market Overview ?" 2017 dated February 19, 2018, prepared by Media Partners Asia). Headquartered in Bangalore, ACT Fibernet has operations in 12 Indian cities as on December 31, 2017 with approximately 1.28 million customers.

Disclaimer:

Atria Convergence Technologies Limited is proposing, subject to receipt of requisite approvals, market conditions and other considerations, to make an initial public offering of its equity shares and has filed a Draft Red Herring Prospectus dated March 24, 2018 with the Securities and Exchange Board of India ("SEBI ??) on March 26, 2018. The Draft Red Herring Prospectus is available on the website of the SEBI and the websites of ICICI Securities Limited, Citigroup Global Markets India Private Limited, J.P. Morgan India Private Limited and HDFC Bank Limited.

Investors should note that investment in equity shares involves a high degree of risk and for details should refer to the Red Herring Prospectus which may be filed with the Registrar of Companies, Bengaluru in the future.

[1] Based on number of fiber broadband internet subscribers as on September 30, 2017 (Source: India Broadband Market Overview ?" 2017 dated February 19, 2018, prepared by Media Partners Asia).

Media Contacts:

Debolina Palit

Genesis Burson-Marsteller

+91 9916624345

Debolina.Palit@bm.com | media@actcorp.in