

# Press Release

5 Sep 2018

## ACT Fibernet announces tie-up with Flipkart to offer exciting internet plans to smart TV buyers in India

*'Smart TV ka Smart Choice' offer valid on all plans across 15 cities where ACT Fibernet is present*

**Bengaluru, 05 September 2018:** ACT Fibernet (Atria Convergence Technologies Ltd.) India's largest fiber-focused wired broadband ISP (Internet Service Provider), today announced its partnership with Flipkart to offer Fiber broadband plans to smart TV buyers on the Flipkart platform.

With the aim to provide a holistic home entertainment experience to all smart TV owners backed by uninterrupted and super-fast internet broadband speed, ACT Fibernet has launched the '**smart tv ka smart choice**' plan. As part of this, customers purchasing any smart TV on Flipkart will be able to enjoy exciting offers and discounts on the company's internet broadband plans.

ACT Fibernet will offer every eligible customer, upon purchase of a 6 months subscription, two months free internet subscription with an additional 1500 GB data and a free wireless router. Offer valid on all Smart TV purchases made on Flipkart beginning 3rd September 2018 to 30th November 2018 across all 15 cities where the company has presence.

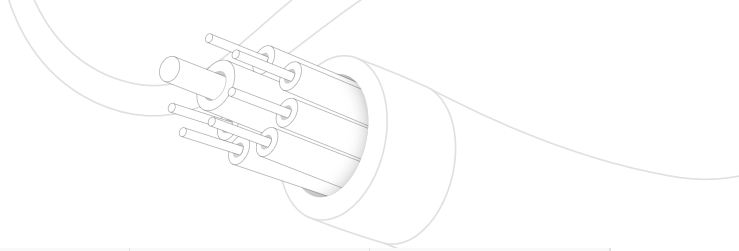
How to avail the offer:

- Customer to provide proof of purchase - Flipkart Order ID, Flipkart Invoice date along with Name, Mobile, Email, Complete Address on [ACT website](#)
- ACT Fibernet to verify the purchase with Flipkart and outcall the customer, confirm the offer, check for feasibility in customer location and proceed with installation.
- ACT Fibernet to provide new connection within a period of 10 working days.
- Existing customers of ACT Fibernet are also eligible for the upgrade sans the router
- Offer to be redeemed before 31st December 2018.
- Customer is also free to choose any other offer from ACT Fibernet that is currently available in their respective market

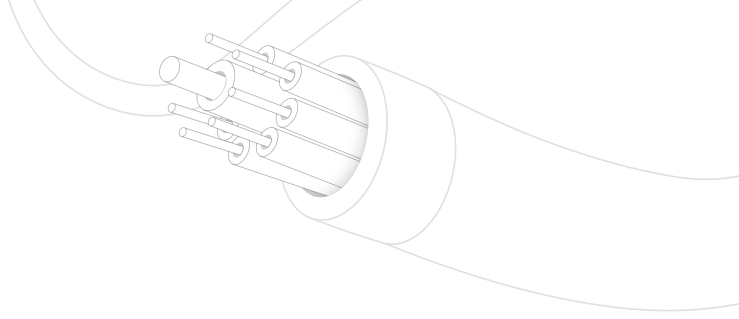
The below table captures the plan details across cities:

*The below table captures the plan details: -*

City	Plan Name	Monthly Rental	Speed	Data limit
Bengaluru	ACT Storm	Rs. 1,159	100 Mbps	350 GB
	ACT Lightning	Rs. 1,399	125 Mbps	500 GB
	ACT Incredible	Rs. 1,999	150 Mbps	800 GB
Delhi	ACT Platinum Promo	Rs. 999	150 Mbps	1000 GB
Hyderabad	A-Max 1050	Rs. 1,050	100 Mbps	750 GB
	A-Max 1299	Rs. 1,299	150 Mbps	1000 GB
	ACT Incredible	Rs. 1,999	200 Mbps	1500 GB



City	Plan Name	Monthly Rental	Speed	Data limit
Chennai	ACT Blaze	Rs. 999	100 Mbps	500 GB
	ACT Storm	Rs. 1,099	125 Mbps	1250 GB
	ACT Lightning	Rs. 1,299	150 Mbps	1500 GB
	ACT Thunder	Rs. 1,499	200 Mbps	1750 GB
	ACT Incredible	Rs. 1,999	250 Mbps	2000 GB
Coimbatore	ACT Sprint	Rs. 999	100 Mbps	350 GB
	ACT Race	Rs. 1,099	100 Mbps	500 GB
	ACT Zoom	Rs. 1,299	125 Mbps	750 GB
	ACT Bolt	Rs. 1,499	150 Mbps	1000 GB
Eluru	ACT Storm	Rs. 999	60 Mbps	400 GB
	ACT Diamond	Rs. 1,499	100 Mbps	600 GB
Guntur	ACT Gold	Rs. 999	60 Mbps	400 GB
	ACT Diamond	Rs. 1,499	100 Mbps	600 GB
Kakinada	ACT Diamond	Rs. 999	60 Mbps	400 GB
	ACT Platinum	Rs. 1499	80 Mbps	600 GB
Madurai	ACT Gold	Rs. 799	100 Mbps	300 GB
Nellore	ACT Platinum	Rs. 999	75 Mbps	500 GB
	ACT Titanium	Rs. 1,449	90 Mbps	750 GB
Rajahmundry	ACT Diamond	Rs. 999	60 Mbps	400 GB
	ACT Platinum	Rs. 1,499	80 Mbps	600 GB
Tirupati	ACT Diamond	Rs. 999	75 Mbps	500 GB
Vijayawada	ACT Gold	Rs. 999	60 Mbps	400 GB
	ACT Diamond	Rs. 1,499	100 Mbps	600 GB
Vishakhapatnam	ACT Diamond	Rs. 999	100 Mbps	800 GB
	ACT Platinum	Rs. 1,499	100 Mbps	1500 GB
Vizianagaram	ACT Diamond	Rs. 999	100 Mbps	400 GB
	ACT Platinum	Rs. 1,499	100 Mbps	1500 GB
Warangal	ACT Diamond	Rs. 999	100 Mbps	800 GB



For more information on the offer log on to [ACT Website](#)

### **About ACT Fibernet**

ACT Fibernet is India's largest fiber-focused wired broadband ISP as on September 30, 2017 (in terms of number of fiber broadband internet subscribers from residential homes) (Source: India Broadband Market Overview ?" 2017 dated February 19, 2018, prepared by Media Partners Asia). Headquartered in Bangalore, ACT Fibernet has operations in 12 Indian cities as on December 31, 2017 with approximately 1.28 million customers.

### **Disclaimer:**

*Atria Convergence Technologies Limited is proposing, subject to receipt of requisite approvals, market conditions and other considerations, to make an initial public offering of its equity shares and has filed a Draft Red Herring Prospectus dated March 24, 2018 with the Securities and Exchange Board of India ("SEBI ??) on March 26, 2018. The Draft Red Herring Prospectus is available on the website of the SEBI and the websites of ICICI Securities Limited, Citigroup Global Markets India Private Limited, J.P. Morgan India Private Limited and HDFC Bank Limited.*

*Investors should note that investment in equity shares involves a high degree of risk and for details should refer to the Red Herring Prospectus which may be filed with the Registrar of Companies, Bengaluru in the future.*

*[1] Based on number of fiber broadband internet subscribers as on September 30, 2017 (Source: India Broadband Market Overview ?" 2017 dated February 19, 2018, prepared by Media Partners Asia).*

### **Media Contacts:**

Debolina Palit

Genesis Burson-Marsteller

+91 9916624345

[Debolina.Palit@bm.com](mailto:Debolina.Palit@bm.com) | [media@actcorp.in](mailto:media@actcorp.in)